

# 165 CVX

6.5" Polyglass woofer

- Built-in audiophile crossover
- Polyglass cone
- Adjustable inverted dome tweeter



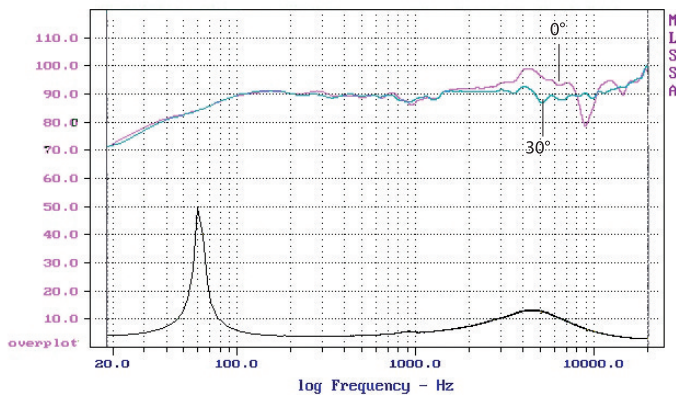
## Specifications

Nominal power	60 W	
Maximum power	120 W	
Sensitivity	92 dB	
Cone	Polyglass	
Surround	Butyl	
Nom. impedance	4 ohms	
DC resistance (in parallel)	3.49 ohms	
VC diameter	25 mm	1 in
VC height	11 mm	7/16 in
Former	Kapton®	
Layers	2	
Wire	Copper	
<b>Inductance</b>		
Xmax	2.5 mm	1/16 in
Magnet (d x h)	85 x 15 mm	3-1/3x9/16in
Magnet weight	0.3 kg	0.66 lb
Flux density	1.1T	
Gap height	5.5 mm	3/16 in
Net weight	0.85 kg	1.87 lb

## Frequency response / Impedance

Sealed enclosure

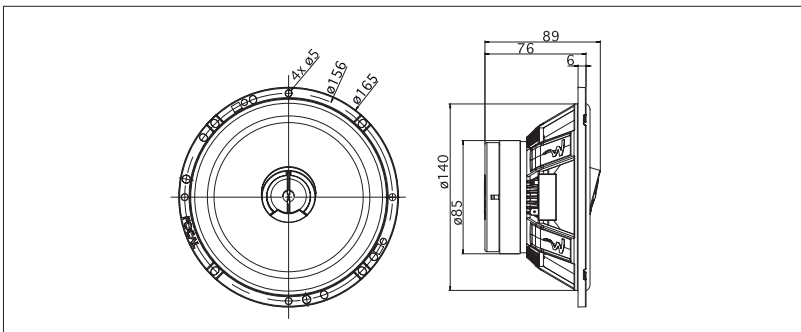
0° and 30° frequency response



## Parameters

Fs	59.58 Hz	
Vas	36.02 l	
Qts	0.66	
Qes	0.71	
Qms	10.38	
Re (in parallel)	3.49 ohms	
Sd	213.82 cm <sup>2</sup>	
Cas	2.56E-07 m <sup>2</sup> /N	
Mas	27.82 kg/m <sup>4</sup>	
Ras	1003.35 ohms.ac	
Cms	5.61E-04 m/N	
Mms	12.72 g	
Rms	0,459 kg/s	
Ces	543.44 mF	
Les	13.13 mH	
Res	51.02 ohms	
Bl	4.84 N/A	
SPL	88 dB/W/m	

## Mechanical Drawing



## Suggested application

Load	V (l)	FB (Hz)	F-3 (Hz)
Sealed	30	-	78



**FOCAL**  
THE SPIRIT OF SOUND